

COUNTERWEIGHTS CATALOG

EURO-TLM



2023

 VISIT OUR WEBSITE
WWW.EUROTLM.COM

 +34 634 75 96 02
 info@eurotlm.com
   @eurotlm



GENERAL CONDITIONS

EUROPEAN MANUFACTURING, IMMEDIATE STOCK, THE MOST COMPETITIVE PRICES ON THE MARKET!



100% EUROPEAN PRODUCTS.



HEADQUARTERS IN SPAIN WITH AN AREA OF 9,000 m2

EURO-TLM has a central office in Spain with more than 1,000 units in stock ready for immediate delivery.



ECONOMIC PRICES.

Thanks to our advanced automation systems in the manufacturing process, we can offer our distributors high quality at a price below the market. Every year our factory invests in robotic equipment to save production time and ensure fast deliveries.

PAYMENT CONDITIONS:

METHOD OF PAYMENT: CASH BANK TRANSFER.

BANK DETAILS: [LA CAIXA](#) IBAN: ES18 2100 9254 4613 0150 0824.

SWIFT / BIC: CAIXESBBXXX.

TRANSPORTATION:

Transportation costs are not included in the price.

The transportation costs derived from merchandise returns or errors in the delivery address will be borne by the customer.

Transport damage: The customer must report any damage to the packaging or product at the time of delivery of the merchandise on the delivery note of the transport company, otherwise EURO-TLM is not responsible for the damage.

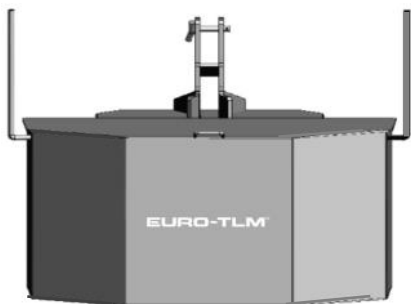
WARRANTY:

12 months warranty from invoice date.

In order to process any guarantee, the customer must provide the purchase invoice and the completed incident report.

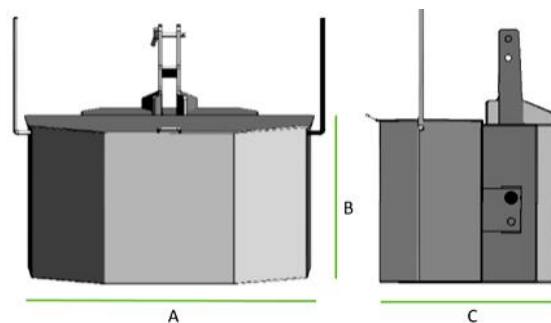
The estimated warranty resolution time is a maximum of 6 months from the presentation of the incident document together with the invoice correspondent.

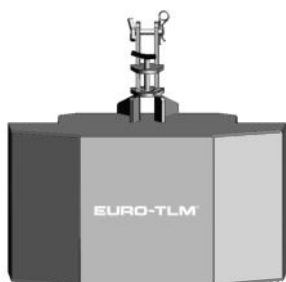
STEEL COUNTERWEIGHTS WITH TOOL HOLDER DRAWER



REF.	WEIGHT (KG)	A (mm)	B (mm)	C (mm)	DRAWER	NET
COC-400	400	730	412	610	YES	733 €
COC-600	600	730	562	610	YES	863 €
COC-800	800	970	662	630	YES	1.052 €
COC-1000	1000	1168	662	730	YES	1.241 €
COC-1200	1200	1168	662	730	YES	1.418 €
COC-1500	1500	1168	662	730	YES	1.711 €
COC-1800	1800	2212	662	736	YES	1.879 €
COC-2000	2000	2212	662	736	YES	2.056 €
COC-2500	2500	2212	662	736	YES	2.647 €

- AVAILABLE IN THREE COLORS
- WELDED STEEL COUNTERWEIGHT.
- FRONT TOOL HOLDER DRAWER WITH SAFETY CLOSURE SYSTEM.
- LATERAL POSITION INDICATORS.
- FRONT DRAWER WITH SECURITY LOCK.
- CUSTOMIZATION FOR ANY BRAND OF TRACTOR WITH LOGO AND REFLECTORS UNDER BRAND AUTHORIZATION. PRICE: €35

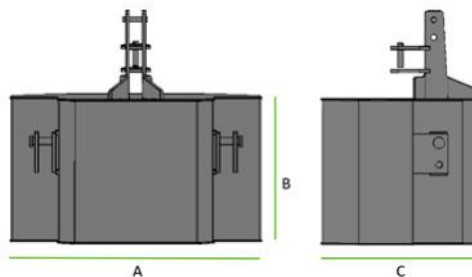




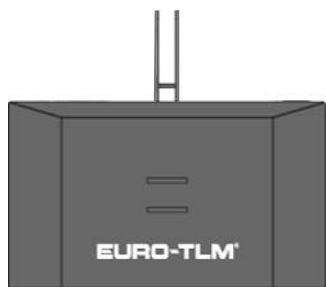
ECO-PACK STEEL COUNTERWEIGHTS

REF.	WEIGHT (KG)	A (mm)	B (mm)	C (mm)	TRAILER HITCH	NET
COC-E400	400	730	350	578	YES	638 €
COC-E600	600	730	550	578	YES	729 €
COC-E800	800	969	600	630	YES	872 €
COC-E1000	1000	1139	620	703	YES	1.028 €
NEW COC-E1200	1200	1139	620	703	YES	1.182 €
NEW COC-E1500	1500	1139	620	703	YES	1.458 €

- AVAILABLE IN THREE COLORS
- COMPACT COUNTERWEIGHT IN WELDED STEEL WITH REDUCED DIMENSIONS.
- TOW HITCH IN TURRET.
- CUSTOMIZATION FOR ANY BRAND OF TRACTOR WITH LOGO AND REFLECTORS UNDER BRAND AUTHORIZATION. PRICE: €35

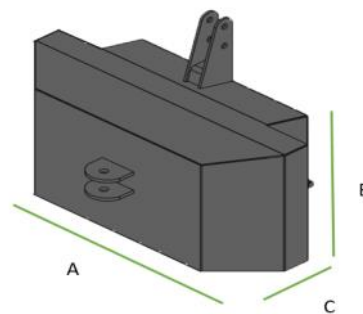


EMPTY STEEL COUNTERWEIGHT FOR CONCRETE FILLING



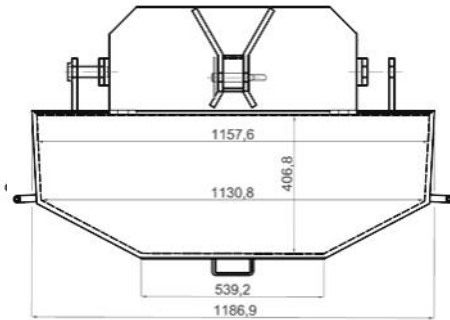
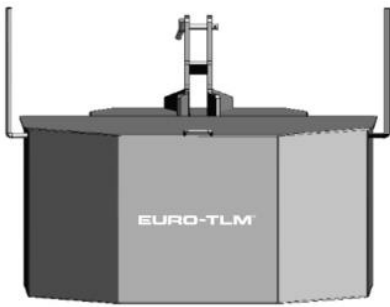
REF.	EMPTY WEIGHT (KG)	WEIGHT (KG)	A (mm)	B (mm)	C (mm)	TRAILER HITCH	NET
COC-V200	60	200	1023	700	483	YES	441 €
COC-V400	84	400	1023	710	550	YES	536 €
COC-V600	105	600	1200	800	592	YES	598 €
COC-V800	125	800	1200	900	642	YES	675 €
COC-V1000	136	1000	1200	900	725	YES	712 €
COC-V1200	166	1200	1600	900	725	YES	859 €
COC-V1500	191	1500	1600	900	850	YES	972 €

- AVAILABLE IN GREY COLOR.
- TRAILER HITCH ON THE FRONT.
- FILLED WITH CONCRETE BY HOLE IN THE LOWER PART.
- HERMETIC SEAL WITHOUT WELDING.
- TURRET PIN AND *R* SIDES NOT INCLUDED.
- MAXIMUM CAPACITY (KG) INDICATED IN THE TABLE.
- EMPTY WEIGHT INDICATED IN THE TABLE.

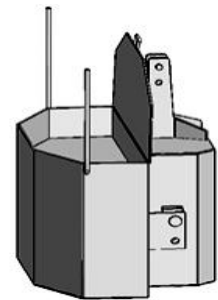


COUNTERBALANCED TOOL BOX

REF.	WEIGHT (KG)	DRAWER INSIDE DEPTH (mm)	INTERIOR DRAWER WIDTH (m)	HIGH INSIDE DRAWER (m)	NET
COC-V1000	400	407	1158	670	1.185 €

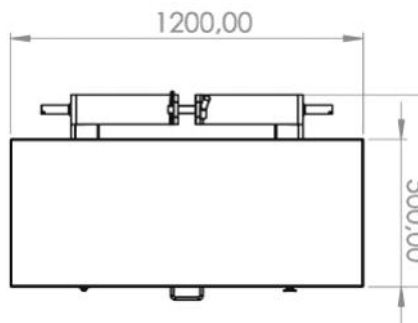
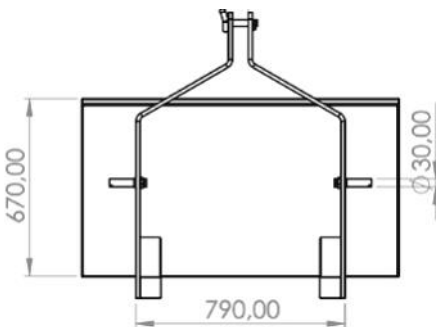


- AVAILABLE IN THREE COLORS
- 400 KG WELDED STEEL COUNTERWEIGHT WITH 1,000 KG EXTERNAL FORMAT.
- FRONT DRAWER HOLDER EXTENDED TOOLS FOR GREATER LOAD CAPACITY.
- LATERAL POSITION INDICATORS.
- FRONT DRAWER WITH SECURITY LOCK.
- CUSTOMIZATION FOR ANY BRAND OF TRACTOR WITH LOGO AND REFLECTORS UNDER BRAND AUTHORIZATION. PRICE: €35



TOOL BOX FOR TUZ

REF.	WEIGHT (KG)	BOX DEPTH (mm)	BOX WIDTH (mm)	BOX HEIGHT (mm)	NET
CPH-1200	140	500	1200	670	860 €



- AVAILABLE IN THREE COLORS
- DOUBLE BOTTLE PNEUMATIC SYSTEM FOR LID OPENING.
- REINFORCED LOWER SKIDS TO FACILITATE HANDLING WITH A PALLET TRUCK OR FORKLIFT.
- FRONT DRAWER WITH DOUBLE SECURITY LOCK.
- CUSTOMIZATION FOR ANY BRAND OF TRACTOR WITH LOGO AND REFLECTORS UNDER BRAND AUTHORIZATION. PRICE: €35

